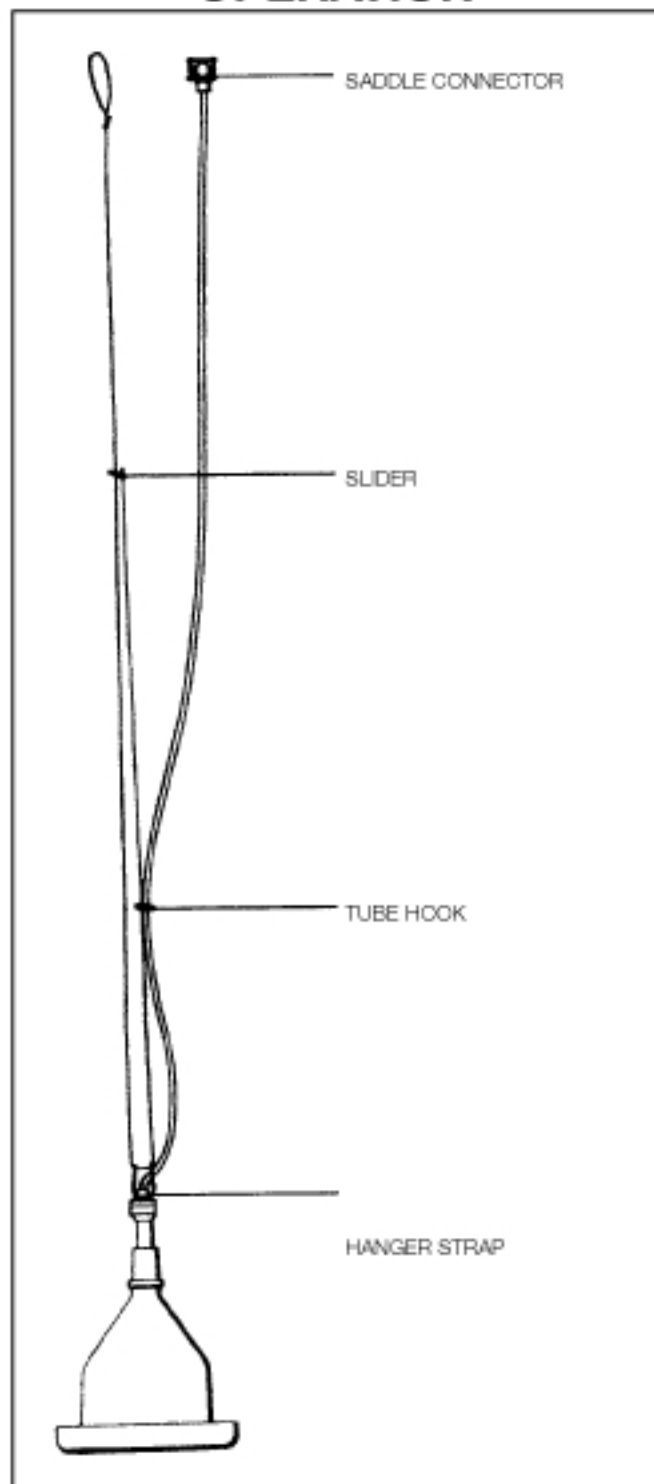


**ORIGINAL**

# WATERMASTER<sup>2E</sup>

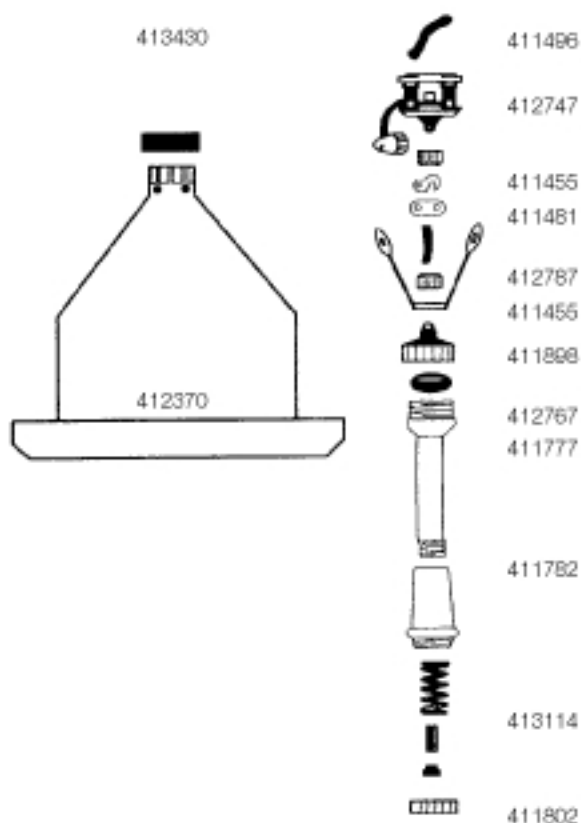
## OPERATION



## PARTS LIST

### KEY

412747	SADDLE CONNECTOR COMPRESSION
(Part of 412747)	TUBE HOOK
412787	WATERMASTER TUBING NEW
411455	1/4" BSP NUT
412767	FILTER TOP COMPRESSION
411777	FILTER DISC
411782	STEM
413114	ADJUSTER COLLAR
411802	MAIN SPRING
411596	VALVE SPRING
411817	VALVE WASHER
411822	VALVE SEATING LP
412370	CONE WM2E
411898	HANGER STRAP
411481	SLIDER
413430	ANTI-SPLASH RING
411496	CORD PLASTIC COVERED



# Collins Nets Ltd

01308 485422 - [info@collinsnets.co.uk](mailto:info@collinsnets.co.uk)

[www.collinsnets.co.uk](http://www.collinsnets.co.uk)

ORIGINAL

# WATERMASTER<sup>2E</sup>

## Assembly & Operating Instructions

### PLUMBING

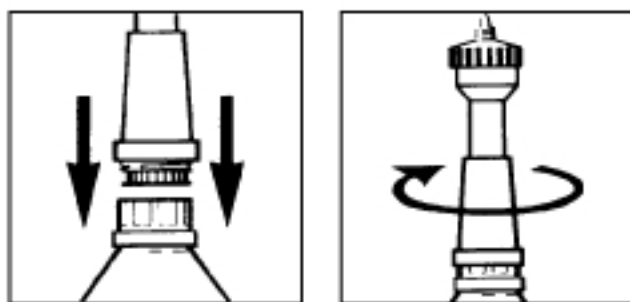
#### General Installation:

Internal plumbing should be galvanised 1/2" or 3/4" piping. Plastic piping may be used but well supported, as sagging can cause air locks. Connect Watermasters to the piping with the Saddle Connector supplied. Drill a 9/32" or 5/16" hole into the piping and place the Saddle Clamp over. Do not over-tighten the Saddle Clamp as this may create distortion and leakage.

Although the Watermaster 2E is fitted with its own filter element, a line filter in each house installation is recommended.

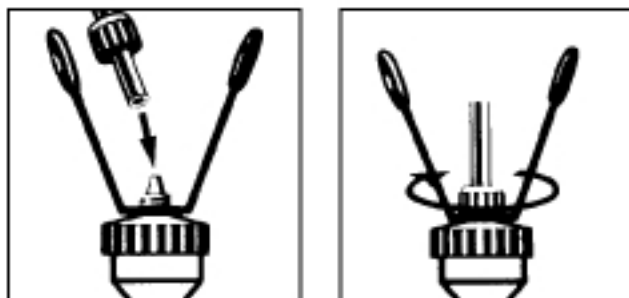
The Watermaster 2E is designed to work on a low pressure water supply, that is below 5p.s.i. (.35 bar). Ideally the supply should be from a header tank 8-12ft. above the ground.

### 1 ASSEMBLY



Insert the black valve unit into the top of the cone, valve downwards. Before inserting the valve into the top of the cone, check to ensure the top and bottom caps (part nos 412767 and 411822) are not loose. Push the black adjuster collar down until it locates into the threads. **Care must be taken not to cross the threads.** Continue screwing in a clockwise direction until the ratchet is reached. Normally, eight clicks give a starting point for adjustment. Level can then be controlled by rotating the adjuster collar clockwise for more depth, anti-clockwise for less. Watermasters should be installed and filed at least 24 hours before introducing the birds to ensure that they are working correctly. If a unit overfills, carefully dismantle the valve and check for any dirt or contamination. Reassemble and retest.

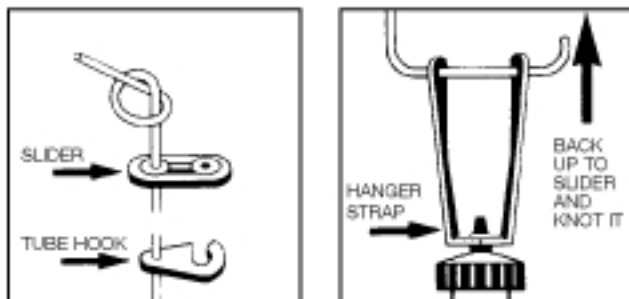
### 2 TUBE CONNECTIONS



Place a nut, thread outwards, onto the end of the tube. Push Hanger Strap over filter top. Push the tube onto the tapered end of the filter top as far as it will go. Tighten the nut firmly. Repeat at the Saddle Connector end.

### 3 SUSPENSION

Tie a looped knot in one end of the hanging cord. Pass the other end through one eye of the Slider, then through the small eye of the Tube Hook, then through both eyes of the Hanger Strap. Finally, pass this end back up to the Slider and knot it through the remaining eye. The Watermaster 2E is suspended by this cord from the looped knot end. (SEE SUSPENSION DIAGRAM OVERLEAF).



For the most efficient operation, it is necessary to suspend the Watermasters above the height of the backs of the birds. With large birds and Layers the Watermasters should be set at about their eye level.

# Collins Nets Ltd

01308 485422 - [info@collinsnets.co.uk](mailto:info@collinsnets.co.uk)

[www.collinsnets.co.uk](http://www.collinsnets.co.uk)